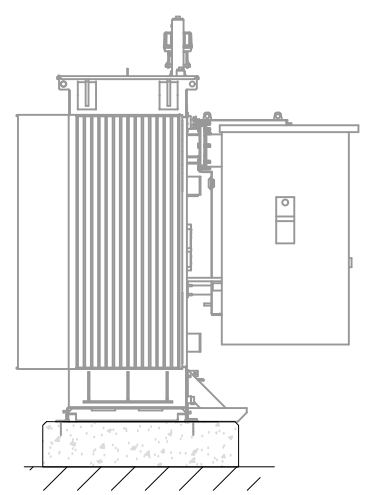
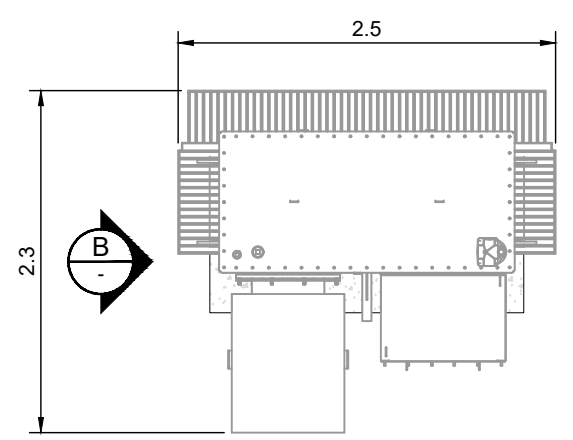


ELEVATION A
SCALE 1:50



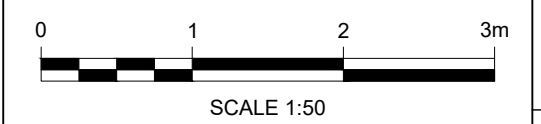
ELEVATION B
SCALE 1:50



PLAN
SCALE 1:50

NOTES:

1. ALL DIMENSIONS ARE IN METRES UNLESS OTHERWISE STATED.
2. DETAILS SHOWN ARE TYPICAL AND ARE SUBJECT TO DETAILED DESIGN.
3. ALL DIMENSIONS ARE APPROXIMATE AND SUBJECT TO DETAILED DESIGN.



2	BM	VM	JH	2024-05-14	UPDATED PURPOSE TO PLANNING
1	BM	BY APPD	JH	2024-03-11	FIRST ISSUE
ISSUE	DRAWN	CHKD	APPD	DATE	REVISION NOTES

PURPOSE	COORDINATES
PLANNING	N/A
SCALE	DATUM
1:50 @A3	N/A
LAYOUT DRAWING	T-LAYOUT NO
N/A	N/A

PROJECT TITLE
STONEWORTHY BESS

DRAWING TITLE
AUXILIARY TRANSFORMER

RES DRAWING NUMBER	REV
05197-RES-SUB-DR-PT-001	2

THIS DRAWING IS THE PROPERTY OF RENEWABLE ENERGY SYSTEMS LIMITED AND NO REPRODUCTION MAY BE MADE IN WHOLE OR IN PART WITHOUT PERMISSION



BEAUFORT COURT,
EGG FARM LANE,
KINGS LANGLEY,
HERTS WD4 8LR, UK
TEL +44 (0) 1923 299200
WWW.RES-GROUP.COM